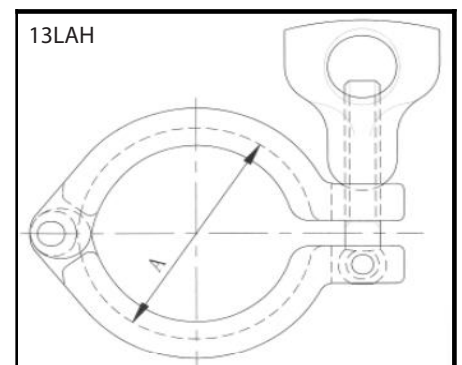
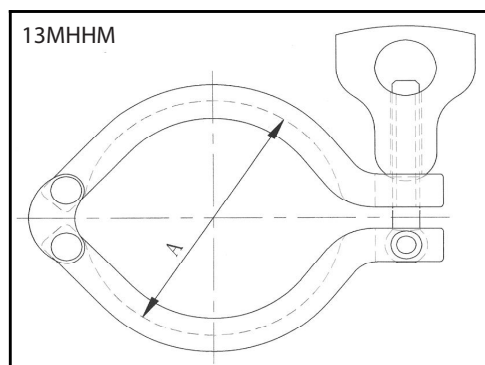


Stainless Clamps

304 (1.4301)	Inch	Flange OD Ø	A mm	PART NO.
Price				
DN/NW				
	1/2"	25,00	31,75	13MHMM-050\075
20-32	1 1/2"	50,50	53,59	13MHMM-150
40	2"	64,00	66,90	13MHMM-200
50	2 1/2"	77,50	80,59	13MHMM-250
65	3"	91,00	93,98	13MHMM-300
80	3 1/2"	105,00	108,28	13MHMM-350
100	4"	119,00	122	13MHMM-400
115	4 1/2"	130,00	133,68	13MHMM-450
	5"	144,70	148,23	13MHMM-500
	6"	167,10	170,05	13MHMM-600
150	6-5/8"	183,00	187,00	13MHMM-6625
	8"	218,00	220,85	13MHMM-800
200	8-5/6"	233,50	238,00	13MHMM-8625
250	10"	267,20	272,80	13MHMM-1000
300	12"	319,00	322,45	13MHMM-1200
	Inch	Flange OD Ø	A mm	PART NO.
DN/NW				
8-20	DIN 34	34	37,7	13LAH-034
	1/2"	25	31,75	13LAH-050
	3/4"	25	31,75	13LAH-075
20-40	1-1/2"	50,50	53,59	13LAH-150
40	2"	64,00	66,90	13LAH-200
50	2-1/2"	77,50	80,59	13LAH-250
65	3"	91,00	93,98	13LAH-300
100	4"	119,00	122	13LAH-400
	6"	167,10	170,05	13LAH-600

De Trompet 1510
 NL-1967 DB, Heemskerk
 The Netherlands
 T. +31 251 20 70 50
 F. +31 251 20 70 55
 info@ultrapharma.com



Get more information about other Sanitary Solutions on our website

www.ultrapharma.com

